

OXYGEN

Take a breath of fresh air...



Company Profile www.oxygen-ltd.com
For any inquiries, please feel free to contact us



Our Expertises

Design, Development & Manufacturing
OEM & ODM Partner for your Electronic Brand

La FRENCH TECH



Expertise in Childcare

We have supported several leaders in the baby care sector by developing a carefully designed range of products, including booster seats, baby monitors, and other essentials. These products are designed to enhance safety and convenience for both parents and their little ones. Well-versed in the high-quality standards required in this field, we ensure innovative features and user-friendly designs, providing peace of mind to users.

Support to Star-up

We actively support the French start-up ecosystem, both domestically and internationally. Our expertise is dedicated to sourcing key components and industrializing innovative concepts across various sectors of electronics, including medical, sports, and acoustics. Recently, we have assisted several French Tech start-ups in their transition to industrialization, contributing to their success and growth.



Pioneer in Audio-Light

Oxygen has established itself as a true pioneer in the development of the audio-light segment by seamlessly integrating advanced audio technologies with cutting-edge LED lighting. This innovative fusion has given rise to iconic designs that have become industry benchmarks. Our commitment to pushing the boundaries of audio and visual technologies has positioned us as undisputed leaders in this field. Our achievements continue to shape the future of audio industry.

Small Appliances

Our passion for design and performance led us to launch a range of small home appliances dedicated to breakfast and culinary preparation, in collaboration with the SEB Moulinex group in 2001. These products continue to be available today. We are continuing this venture with Groupe Muse, which is also entering this field. We provide them with innovative and aesthetic customization solutions designed to make each product unique and meet the diverse needs of their customers.



Timeless Vintage Audio

Oxygen has rekindled the passion for analog music by offering high-quality products that combine the charm of the past with modern technology, providing an unparalleled experience for audiophiles. Vintage is both chic and ultra-trendy. When vintage meets audio, it gives rise to speakers, cassette players, Hi-Fi systems, and radios of undeniable elegance, adorned with classic materials such as wood, leather, and metal. These products are not just decorative objects but highly advanced devices capable of wireless music streaming with impressive acoustic performance. They stand out immediately with their unique and timeless style. Our achievements continue to shape the future of audio industry.

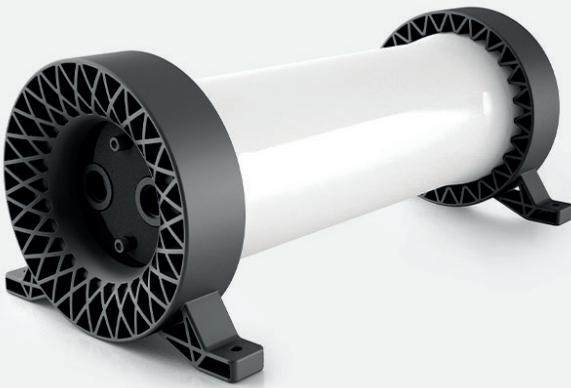
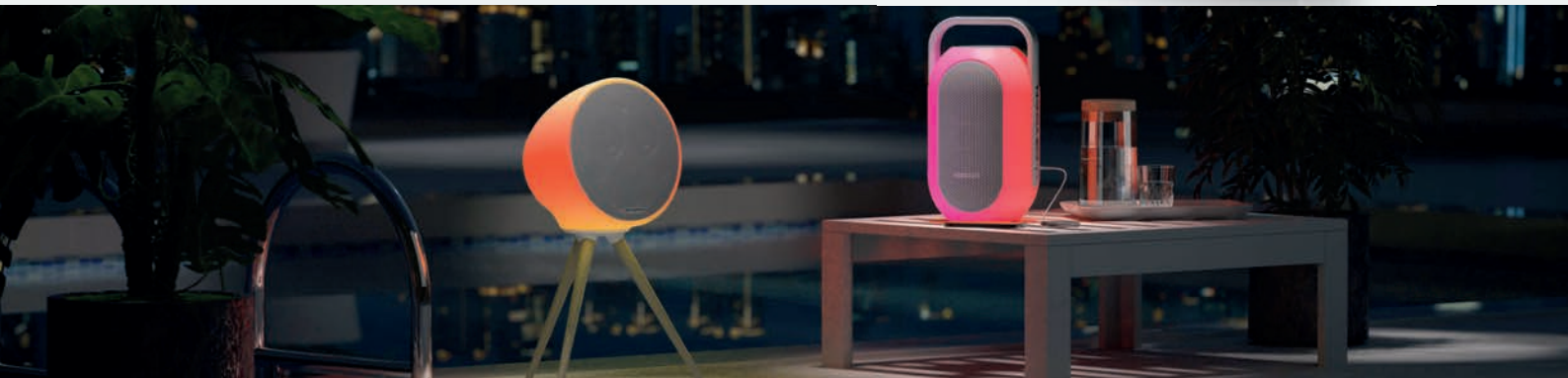


Expanding Horizons to Tableware

The intersection between consumer electronics and tableware is both fascinating and full of potential. Despite the challenges, we have successfully developed a comprehensive range of tableware products for major global industry players. This unique experience has propelled us into a new realm of possibilities, further enriching our extensive expertise. Our venture into the tableware industry has not only broadened our scope but also provided us with valuable insights and innovations that enhance our overall capabilities. This journey highlights our commitment to excellence and our ability to adapt and excel across diverse sectors.

Docking Audio

With the rise of smartphones, new uses and types of products have emerged. The ability to listen to music from a phone became a major function, leading to the birth of docking stations in the early years. We were a key player in this industry and established numerous partnerships with leading companies such as Apple, Samsung, and Archos. As the industry has evolved towards streaming technologies like Bluetooth and Wi-Fi, we take pride in having been a significant player in this segment and contributing to its development.



Water Treatment

Oxygen has also ventured into the field of domestic water filtration systems, offering powerful yet aesthetically pleasing solutions that highlight the exceptional performance of our products. In partnership with one of the global leaders in the market, GE, we provide a comprehensive range of filters, from the most standard to the most innovative. Whether for faucets, refrigerators, or pitchers, our filter range meets all needs, combining functionality with design.

Household Appliances accessories

Oxygen has developed a complete and exclusive range of home appliance accessories: anti-vibration pads for washing machines, filter counters for refrigerators, bacon boxes, syrup mixers, air purifiers for refrigerators, interchangeable knobs for stoves, safety flashlights, and more. This range was created in collaboration with one of the leading players in the industry, GE.



Our Services

Our services: Create & Design from Scratch

Scale your Business with Innovative & Unique Products



Graphic Design

We excel in graphic design, offering comprehensive services to customize your products, create impactful images, design attractive packaging, distinctive logos, and visually captivating posters. Each element is crafted to reflect your brand's identity and effectively convey your message.

We combine creativity with a deep understanding of market trends to develop visual concepts that capture attention and enhance brand recognition. Additionally, we provide strategic branding services to help you stand out in the market, developing cohesive and innovative visual strategies to achieve your business goals.

Industrial Design

We offer a comprehensive range of industrial design services tailored to meet the unique needs of each client. Our team of specialized designers turns innovative ideas into tangible products, blending functionality and aesthetics.

We start with an in-depth analysis of client requirements to create customized solutions using the latest design technologies. Each project is approached with a creative and methodical process to ensure high-quality results. We work closely with our clients to ensure that every product reflects their expectations and vision while anticipating future trends.



Engineering Development

Our comprehensive engineering development services cover all essential aspects to ensure innovative and high-performance solutions from concept to commercialization. We include electrical hardware and software development, structural mechanical design, and acoustic analysis.

We integrate the latest technologies to meet the specific needs of each project, ensuring durability, functionality, and optimal sound quality. This guarantees a smooth transition from concept to production, providing global solutions tailored to the challenges of modern engineering.

Quality Control

We provide comprehensive quality control services to ensure that your products meet the highest standards of excellence. Our services include thorough factory audits and the implementation of rigorous production processes to ensure compliance with technical specifications and customer expectations.

We perform quality checks at every stage of production to identify and correct any issues before products reach the market. By working closely with our clients, we tailor our quality control services to their specific needs, ensuring reliable and compliant products.





Manufacturing & Production

We provide comprehensive manufacturing and production services aimed at optimizing efficiency and ensuring high-quality standards. This includes rigorous production control, cost optimization, and specialized tooling development.

We ensure constant oversight to maintain high-quality standards and implement cost optimization strategies to maximize value. Our tooling development creates custom equipment for precise and efficient production. We are committed to delivering cost-effective solutions while providing reliable results that meet the highest expectations.

Sourcing

We assist our clients in sourcing products, components, and services through our extensive network of suppliers. This service ensures reliable and high-quality supplies.

Our expertise enables us to select the best partners in terms of quality, cost, and delivery times. We work closely with you to understand your specific needs and find the most suitable solutions. By ensuring the reliability of sources and product compliance, we aim to optimize your sourcing and support the success of your projects.



White Label Products

Our services include a range of white-label products, offering the ability to customize visual aspects such as color and logo, as well as certain technical specifications based on feasibility. This allows you to tailor these products to your brand and incorporate them into your offering.

We work closely with you to ensure that the products meet your specific needs while enhancing your brand's identity. This solution not only enriches your product line but also adds a personalized touch. We provide full support throughout the customization process to ensure results that meet your expectations.

Other Services

Oxygen handles the certification of developed products in collaboration with an internationally accredited laboratory. We have extensive experience in certification for all regions of the world, including CE, ETL, and others.

We also provide assistance with shipping your products in cooperation with your forwarder, regardless of the mode of transport, whether by sea or air. We have substantial experience in this field as well.



Our Complete Range of Services

Our clients can rely on us to provide high-quality solutions, from innovation to market launch, contributing to their success in a competitive global market



The Founder

Two Men, One Vision

Visionaries to set out to build a leader in the industry



ERIC BURQ

With over forty years of experience in financial management within the consumer electronics and household appliances industry, Éric Burq began his academic journey by earning a Ph.D. in Economics from the University of Paris-Nanterre in 1982. He then joined "Thomson Technicolor," where he served as a financial controller from 1986 to 1996, developing deep expertise in financial management within the company.

In 1996, Burq expanded his skills by becoming the General Manager of Strategic Ventures and Vice President of Operations for the Asia-Pacific region at Moulinex S.A. His role was pivotal in the company's business expansion in this key region.

In 1999, he joined Serge Kokkinis in the Oxygen Ltd. venture, where he brought his strategic and financial leadership, contributing to the company's development and growth towards success.

SERGE KOKKINIS

With over forty years of experience in consumer electronics and home appliance product design, Serge Kokkinis began his career as an independent designer after graduating from ENSAAMA in Interior Architecture in 1973. In the vibrant Paris of the 1970s, he built a strong reputation before joining the audio division of Thomson in 1979, where he held various positions until 1992. During this time, he established design centers in Paris, Singapore, and Hong Kong, and was frequently recognized, winning multiple Design Oscars for his innovations in audio.

In search of independence and as a pioneer in consumer electronics, Serge Kokkinis founded Zoo Design in Hong Kong in 1993. In 1996, driven by a desire to design and produce his own creations, he founded Oxygen Ltd., with the aim of energizing the industry. He was soon joined by Éric Burq, and together they revolutionized the electronics world on a global scale.



About us

Showcasing Innovation & Leadership

A key player in the hub in Asia's electronics industry



Exhibition Hong Kong Electronics fair

Oxygen is proud to be part of the Hall of Fame at the Hong Kong Electronics Fair. With a longstanding presence at this prestigious event, we have been a featured exhibitor in the Hall of Fame since the early 2000s.

Each year, we are thrilled to showcase our latest audio innovations and look forward to engaging with visitors and hearing their valuable feedback.

As a key player in the fair, Oxygen distinguishes itself as one of the few companies capable of serving every segment of the audio industry, while also exploring opportunities in emerging markets.



Hong Kong Electronics Fair (Autumn Edition)

香港秋季電子產品展 **Booth No. 1E-C02**



Our Story



Traditional Electronics

With the experience of its founders, Oxygen quickly established itself as a major player in the traditional audio market. Its flagship products, such as alarm clocks offering an immersive morning experience, portable radios providing clear and powerful sound anywhere, and CD radios with exceptional sound quality, stand out from the competition. The micro hi-fi systems and vinyl turntables, both elegant and high-performing, add a touch of sophistication to any space.

Oxygen has become a key supplier for traditional audio brands in many countries. The company continues to innovate every year by offering new models tailored to the diverse needs of its clients, further solidifying its position as a market leader.



Client Worldwide

We build lasting partnerships with our global network of clients, some of whom have been with us for decades. These collaborations are key to their success in the international market. We design and manufacture products for consumers in more than 50 countries across North America, Europe, Asia, Africa, and Latin America.

Our mission is to provide innovative solutions that combine performance and aesthetics, while staying attentive to our clients' diverse needs. We continuously innovate to improve our products and offer our partners a lasting competitive advantage.

ISO Certified

As an ISO 9001:2015 certified company by ACI, we adhere to rigorous quality standards, following meticulous procedures to ensure timely and cost-effective results while delivering high-quality outcomes. This certification is crucial for working with leading global distributors and partners.

A Long Audio Journey

Into the origine of the electronic industries

Creation in 1996

A company based in Hong Kong with several branches in mainland China, we consist of a team of 40 peoples with diverse skills. This diversity provides us with extensive expertise in product design, design, acoustic research, engineering, product development processes, quality control, procurement, and manufacturing. We are a full-service provider specializing in ODM products, with a presence at the heart of the global manufacturing industry.

Every year, we develop numerous new products by working closely with our partner factories. Our strength lies not only in our ability to innovate but also in our capability to adapt products to perfectly align with market positioning and the brand identity of our clients worldwide. Over the years, we have become a major player in the development and manufacturing of electronic products for a global clientele, with an impressive total of over 100 million products sold worldwide.



Next-Generation Electronics

Driven by boundless creativity, Oxygen has leveraged technological advancements to stand out in various sectors. The company quickly established itself in the Bluetooth and Wi-Fi speaker market, offering high-performance and aesthetically pleasing audio solutions.

We played a key role in popularizing ultra-powerful mini speakers by integrating advanced passive bass technologies. Aware of the shift towards more portability and durability, it developed products resistant to shocks, dust, and water, while ensuring maximum battery life with high-density batteries.

A pioneer in audio-light, Oxygen brilliantly combined audio and LED technologies, creating iconic designs. The company also became a leader in the party box market, blending acoustic power, portability, and cutting-edge design, while continuously innovating in the electronics field.



Partnerships

All Over the World

There are up to 300 long-term strategic partners

SABA

MUSE

new
one

Amana

HITACHI

ADESSO

THOMSON

Emerson®

RCA

Studebaker



GRUNDIG

AudioComm

Soundmaster®

bigben
interactive

Brandt



TAMASHI

JENSEN

JNC

Britz

ANABAS
audio

TEAC

TELEFUNKEN

Audiosonic

NEXXTECH

KAMBROOK

R radioshack™

BLAUPUNKT

Waltter

Moulinex

singing machine®

ARCHOS

morphy richards

bench



Barbie



SOUNDX

BRIGHTON

AKIRA
makes life better

DAEWOO
INTERNATIONAL

Firstline

DURABRAND

commodoor

Polaroid

BLUEsky

Goodmans

SEB®

SONY®

KRUPS

TCL

Zappers

YES

WORTEN®

WINTECH®

uniwave

DISNEY

wilfa

TINGTEL

TECTRON

TONNEY

SWAN

TEXET

SUPRA

SR STANDARD
Master Style of Switzerland

SKIES

SUNNY

SilverCrest

SANYO

SENCOR

SANSUI

Treton

**Trident
Traders**

Safeway

RODH

RECCO

Qriom
キュリオム

PUNKTAL

QONIX

prima

PANAVOX

onn

NU SKIN
THE DIFFERENCE DEMONSTRATED

DERENS

Nova

NEUFUNK

neom

nell

Moretime

mitsai

Minowa

**DESPICABLE
ME**
WINNIE MADE

microspot

MG

ménage

Memorex

mellerware

MEDION

maxotec

MAGNASONIC

LOTTE

LENOXX

Lenco
AUDIO - VIDEO

Kris

HYUNDAI

PHILCO

Jeep



OXYGEN

www.oxygen-ltd.com / For any inquiries, please feel free to contact us

China Office - NO.39 Chrysanthemum Town East-road, Xiaolan Town, Zhongshan, Guangdong, P.R.C. Tel: +852 25 61 46 89

Hong kong Office - Room 402A, 4/F, TCL Tower, No.8 Tai Chung Road, Tsuen Wan, N.T., Hong Kong. Tel: +86 (760) 23383375

